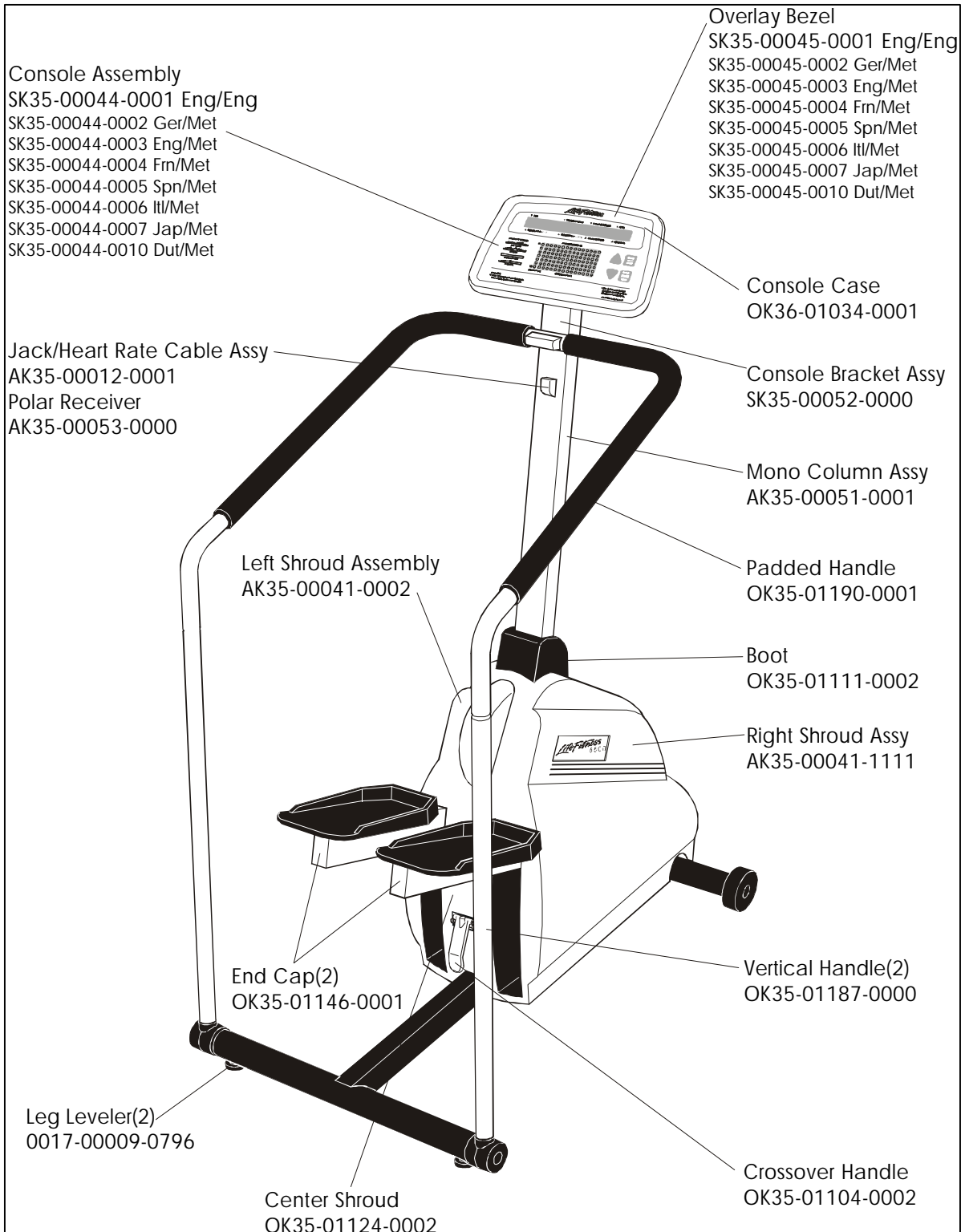


**LS-5500HR  
STAIRCLIMBERS**

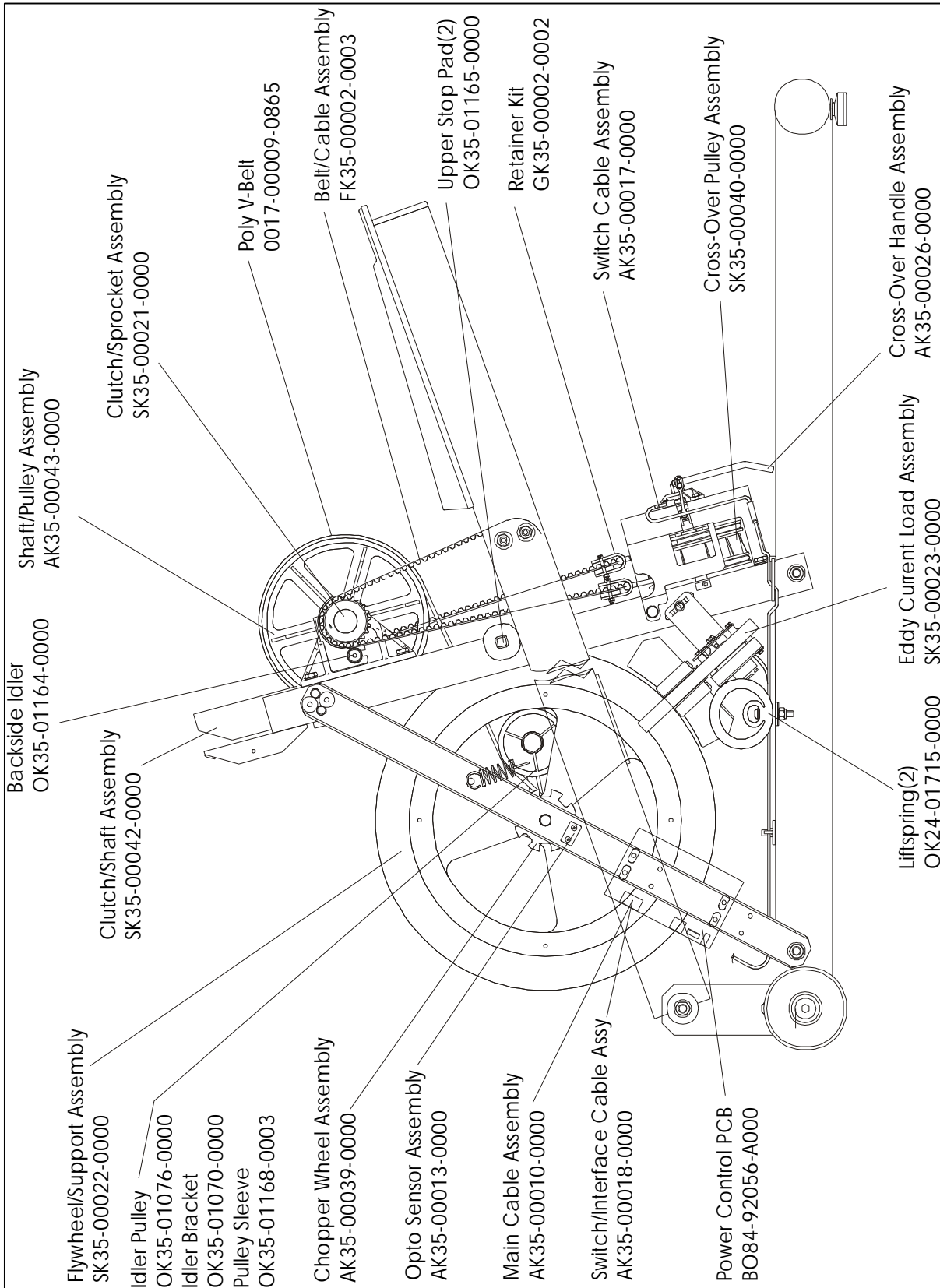
**GK35-00004-XXXX**

**SN # 251196 - 253719**



**LS-5500HR  
STAIRCLIMBERS**

**GK35-00004-XXXX  
SN # 251196 - UP**



Backside Idler  
OK35-01164-0000

Clutch/Shaft Assembly  
SK35-00042-0000

Flywheel/Support Assembly  
SK35-00022-0000

Idler Pulley  
OK35-01076-0000  
Idler Bracket  
OK35-01070-0000  
Pulley Sleeve  
OK35-01168-0003

Chopper Wheel Assembly  
AK35-00039-0000

Opto Sensor Assembly  
AK35-00013-0000

Main Cable Assembly  
AK35-00010-0000

Switch/Interface Cable Assy  
AK35-00018-0000

Power Control PCB  
BO84-92056-A000

Shaft/Pulley Assembly  
AK35-00043-0000

Clutch/Sprocket Assembly  
SK35-00021-0000

Poly V-Belt  
0017-00009-0865

Belt/Cable Assembly  
FK35-00002-0003

Upper Stop Pad(2)  
OK35-01165-0000

Retainer Kit  
GK35-00002-0002

Switch Cable Assembly  
AK35-00017-0000

Cross-Over Pulley Assembly  
SK35-00040-0000

Cross-Over Handle Assembly  
AK35-00026-0000

Eddy Current Load Assembly  
SK35-00023-0000

Liftspring(2)  
OK24-01715-0000

**LS-5500HR  
STAIRCLIMBERS**

**GK35-00004-XXXX**  
SN # 251196 - UP

